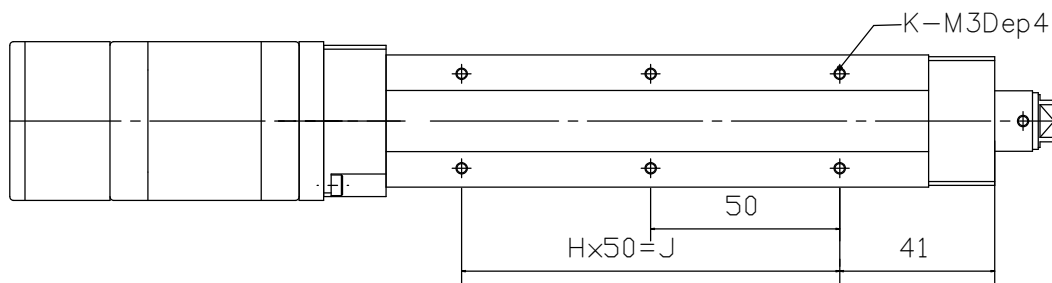
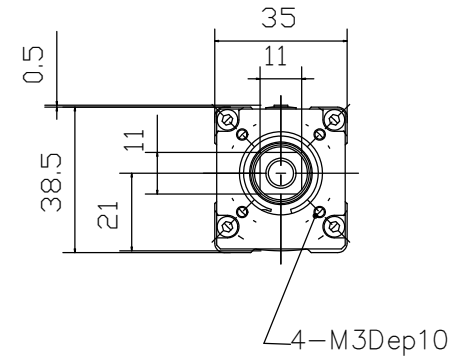
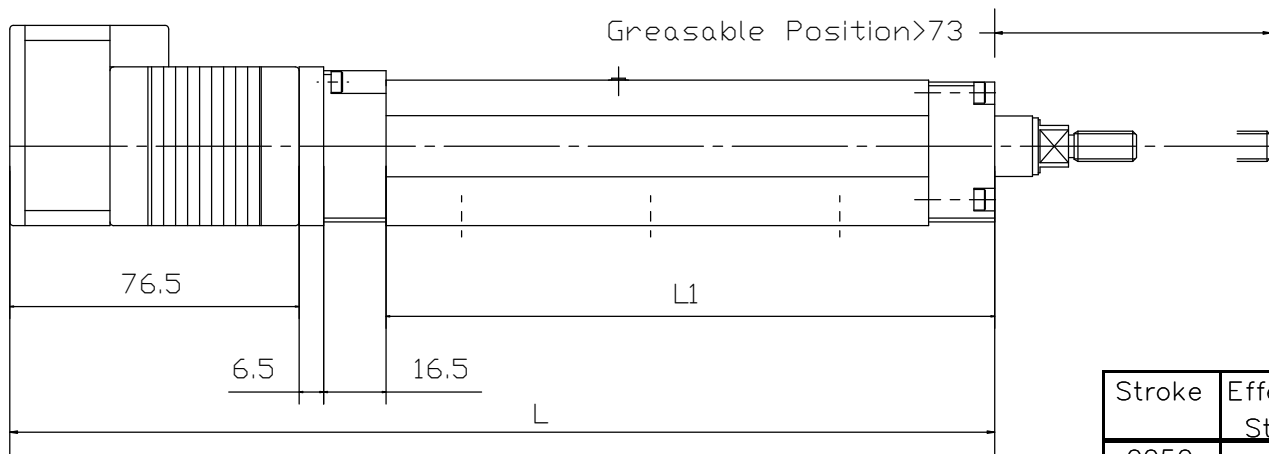
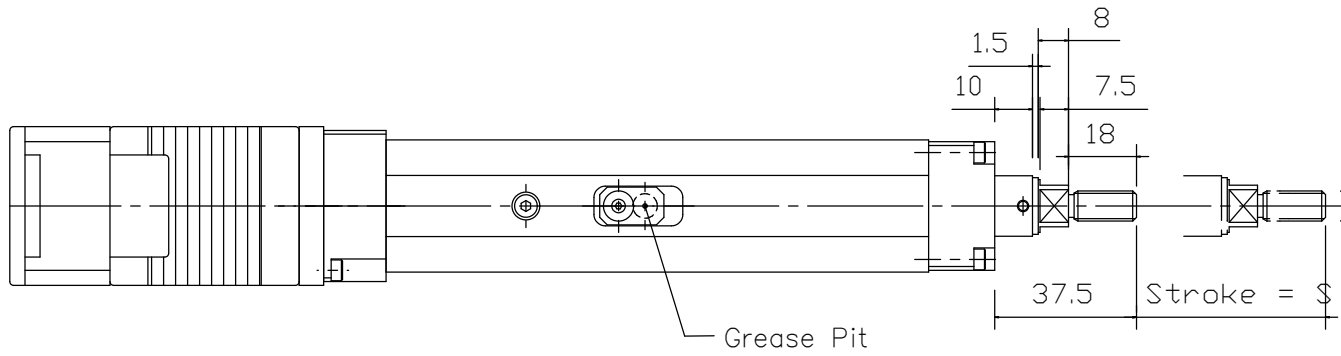



VLA-CT-36

RD-35T



Stroke	Effective Stroke	L	L1	H	J	K
0050	50	240	161	2	100	6
0100	100	290	211	3	150	8
0150	150	340	261	4	200	10

Drawing Name RD-33T
 MUSCLE CO.,LTD.