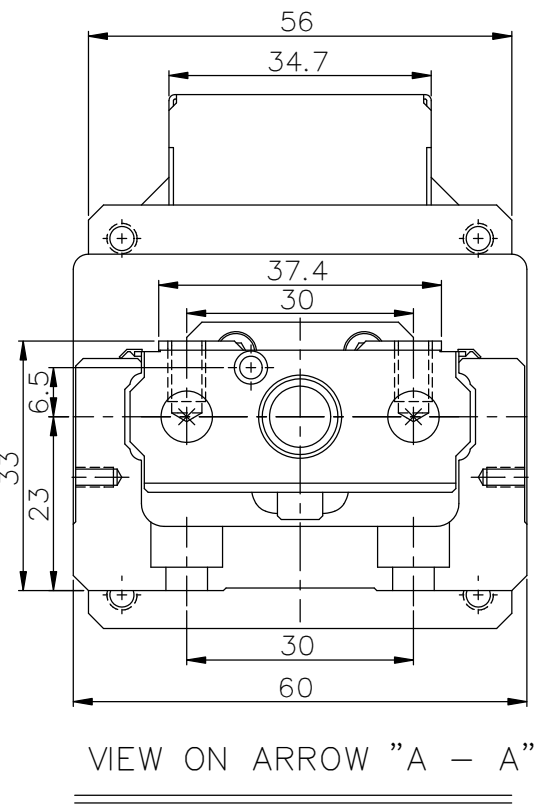


PA33XXXXX23XXX UNITS : mm

8	Actuator	1	KR33XXXXA	
7	Coupling $\phi 20 * L26$	1	RCLC20-6-6.35	
6	Spring Washers M3*0.7	2	SLW 3	SWRH57
5	Hexagonal Head Bolt M3*15	2	CBM3-15	SCM435
4	Spring Washers M4*1.0	2	SLW 4	SWRH57
3	Hexagonal Head Bolt M4*10	4	CBM4-10	SCM435
2	KR33 Mounting Plate Name23	1	CM56P0013	Aluminum Black
1	CM1-X-23XXX	1	CM56G0001	
Parts No	Parts Name	Qty	Drawing No	Remarks

RAIL LENGTH L1	L2	STROKE	G	H	F	n	N	MOTOR Lm		TOTAL L	
								SHORT	LONG	SHORT	LONG
150	220	61.5	25	25	100	2	2	71.5	105.5	297.5	331.5
200	270	111.5	50	50	100	2	2			347.5	381.5
300	370	211.5	50	50	200	3	2			447.5	481.5
400	470	311.5	50	100	200	4	2			547.5	581.5
500	570	411.5	50	50	200	5	3			647.5	681.5
600	670	511.5	50	100	200	6	3			747.5	781.5



Date	2002.11.08	Drawing Name	PA33XXXXX23XXX
Scale	1/1	Drawing No	CM42GKR33
Approved	Inspected	Designed	
		<i>Liu</i>	MUSCLE CO.,LTD.