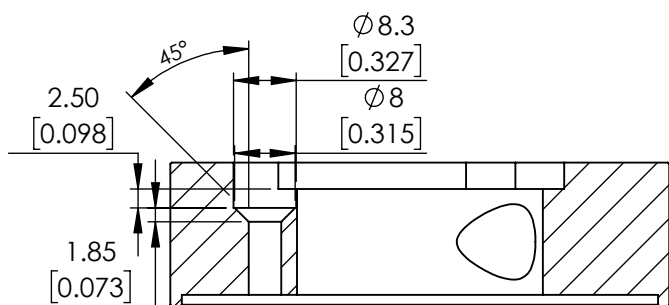


4

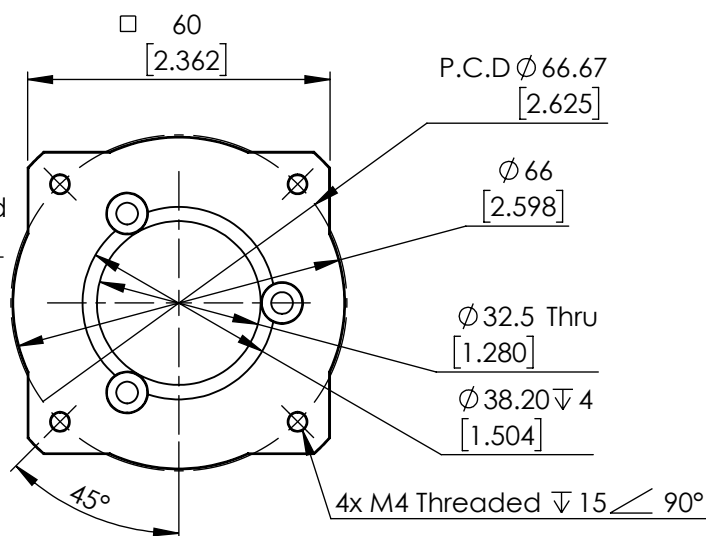
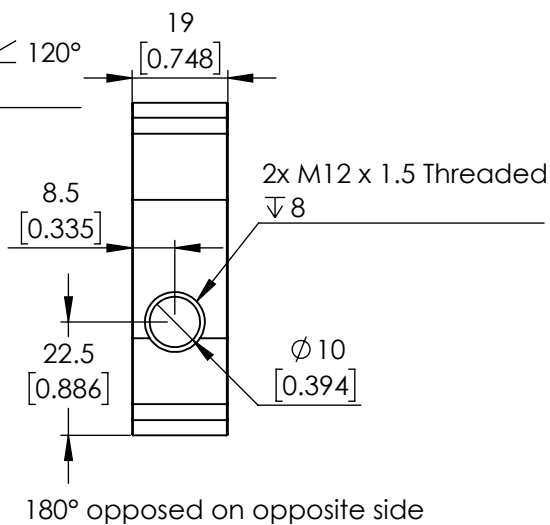
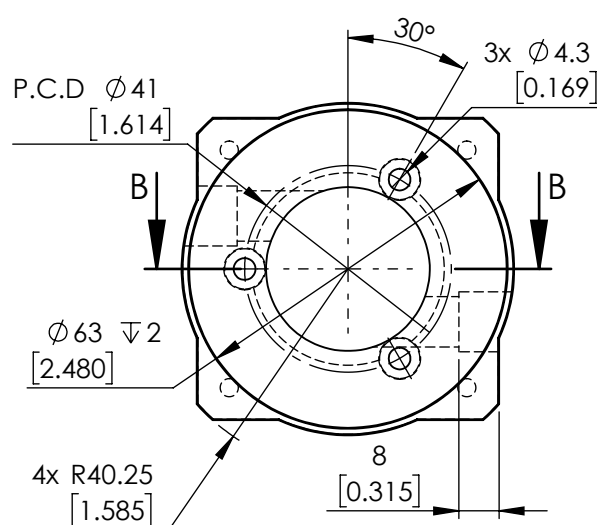
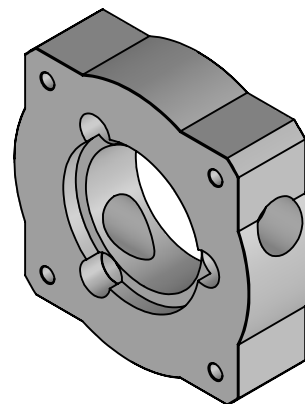
3

2

1




SECTION B-B  
SCALE 1 : 1



Unless otherwise specified,  
tolerance to be: CNS 4018  
IT 14 Linear measures  
0.5-3 ±0.1  
3-6 ±0.1  
6-30 ±0.2  
30-120 ±0.3  
120-315 ±0.5

PROPRIETARY AND CONFIDENTIAL  
THE INFORMATION CONTAINED IN  
THIS DRAWING IS THE SOLE  
PROPERTY OF MYOSTAT  
MOTION CONTROL INC. ANY  
REPRODUCTION IN PART OR  
AS A WHOLE WITHOUT THE WRITTEN  
PERMISSION OF MYOSTAT MOTION  
CONTROL INC. IS PROHIBITED.

	NAME	DATE	DO NOT SCALE DRAWING	UNITS: mm [inch]
DRAWN	M.REYNOLDS	08-24-2018	TITLE: <b>IB060-1.9 to CM1-23 Bracket</b>	
CHECKED	x	x		
ENG APPR.	x	x		
 Myostat Motion Control Inc. +1 905-836-4441 www.myostat.ca			SIZE <b>A</b>	PRT. NO. IB060-1.9-170608-BRK
			SCALE 1:1	REV 1.1 SHEET 1 OF 1

4

3

2

1