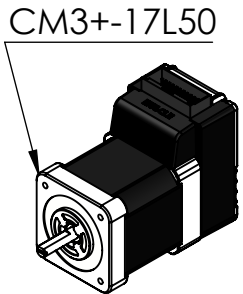
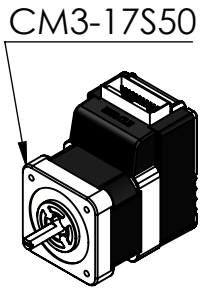
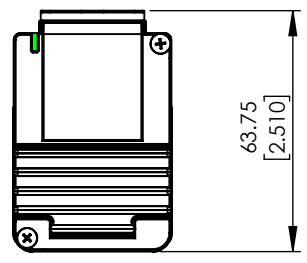
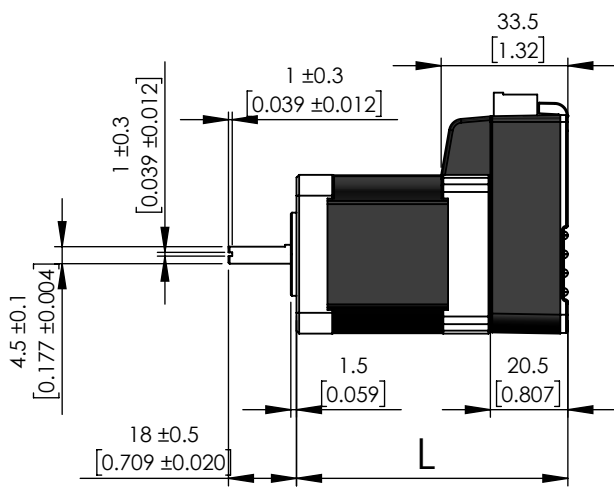
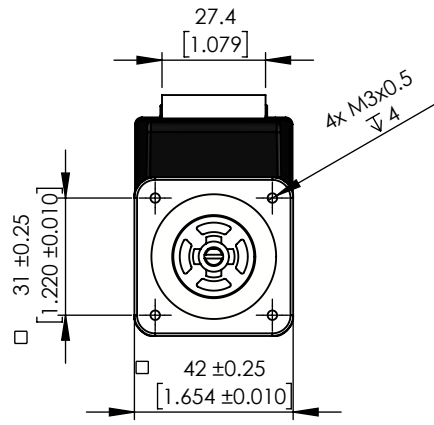
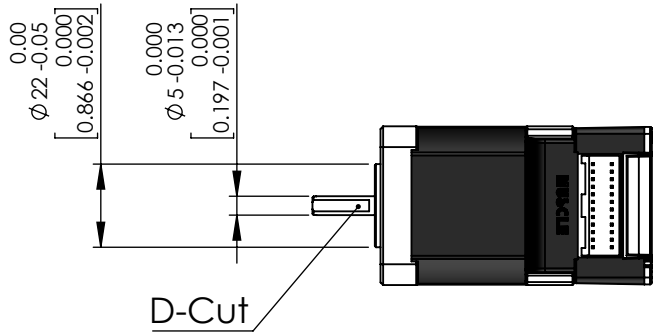
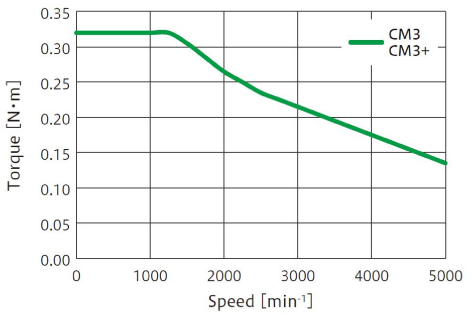


MODEL	L(mm)	Weight (kg)
CM3-17L50	71.8	0.44
CM3-17S50	56.9	0.3

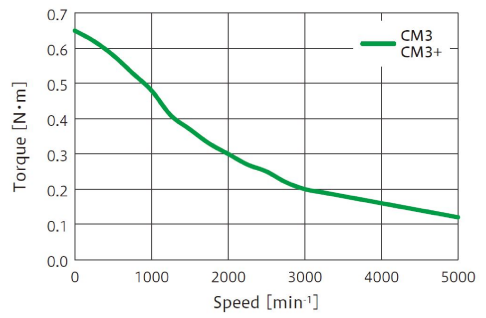


Speed-Torque Curves

17S50



17L50



Unless otherwise specified, tolerance to be: CNS 4018  
 IT 14 Linear measures  
 0.5-3 ± 0.1  
 3-6 ± 0.1  
 6-30 ± 0.2  
 30-120 ± 0.3  
 120-315 ± 0.5

PROPRIETARY AND CONFIDENTIAL  
 THE INFORMATION CONTAINED IN THIS DRAWING IS THE SOLE PROPERTY OF MYOSTAT MOTION CONTROL INC. ANY REPRODUCTION IN PART OR AS A WHOLE WITHOUT THE WRITTEN PERMISSION OF MYOSTAT MOTION CONTROL INC. IS PROHIBITED.

	NAME	DATE
DRAWN	M.Dank	Jul 9,'21
CHECKED	x	x
ENG APPR.	x	x



DO NOT SCALE DRAWING		UNITS: mm [inch]
TITLE: <b>Cool Muscle 3 NEMA 17 Motors</b>		
SIZE <b>A</b>	PRT. NO. <b>CM3□-17□50</b>	REV <b>0.0</b>
		SHEET 1 OF 1