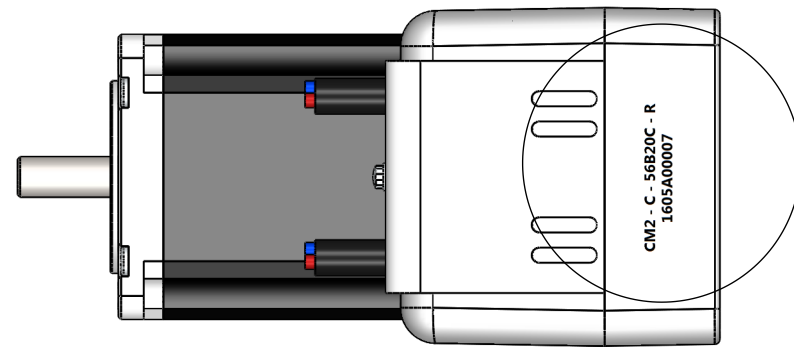


A (2 : 1.5)

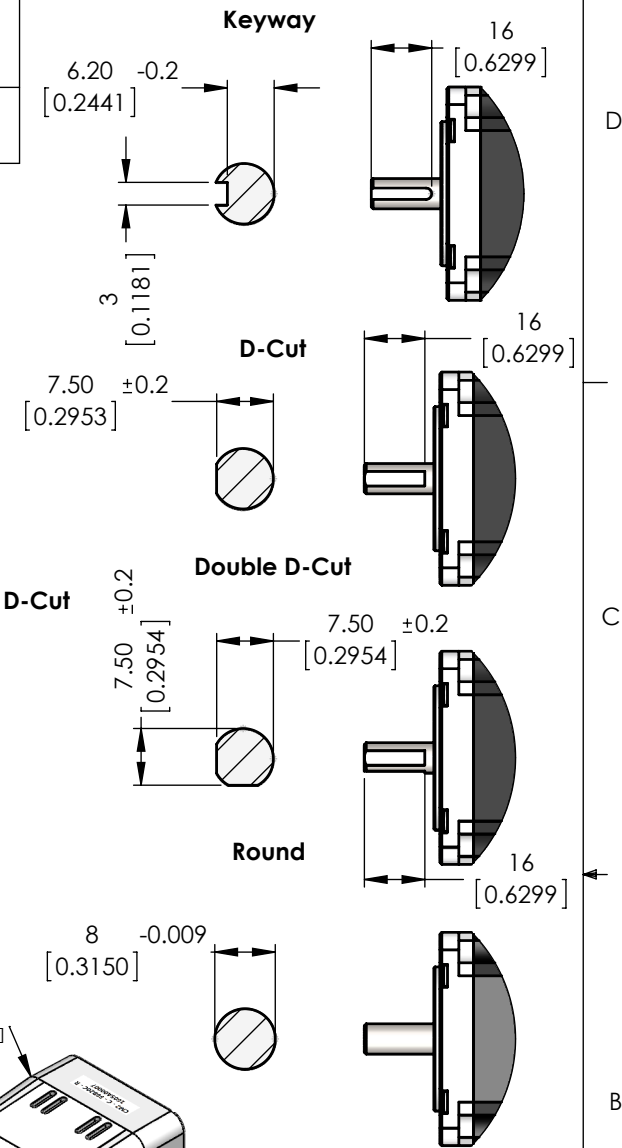
Model Number

Serial Number



MODEL	L	WEIGHT (KG)
CM2-□-56B20C-□	119.2 ±1	1.7
CM2-□-56B10C-□	93.2 ±1	1.2

### Shaft Options

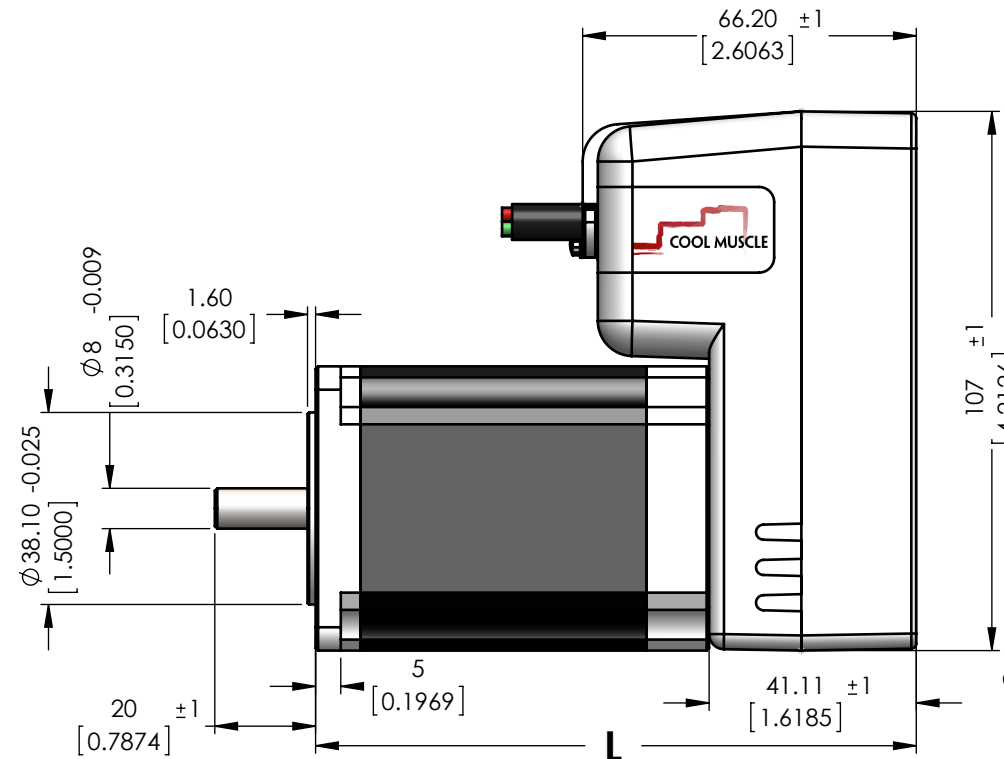
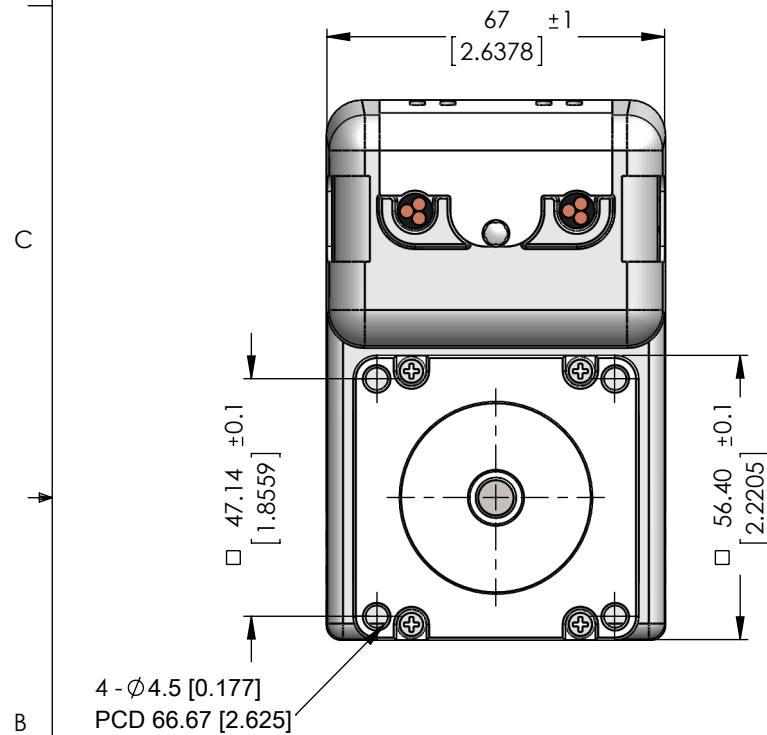


CM2 - □ - 56B20C - □

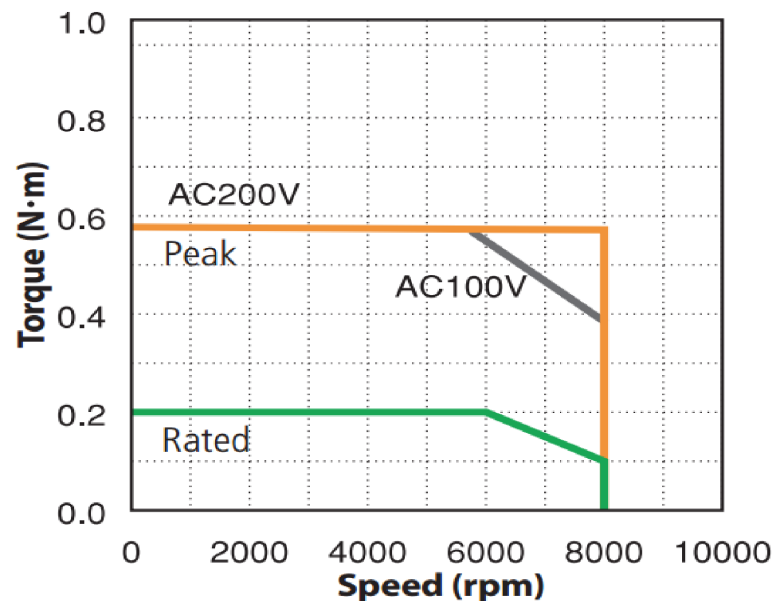
Control Type  
 P - Pulse  
 C - Computer  
 R - Circular Interpolation

Frame size and Wattage

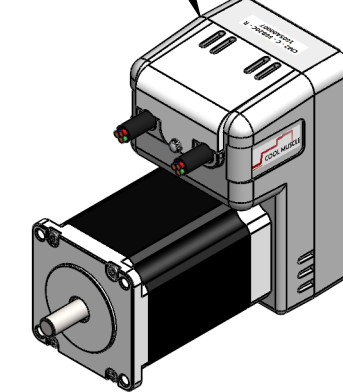
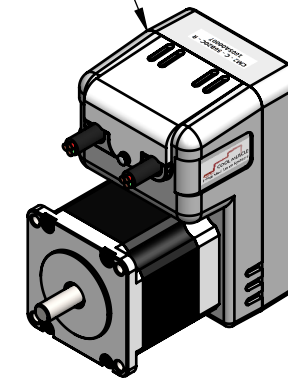
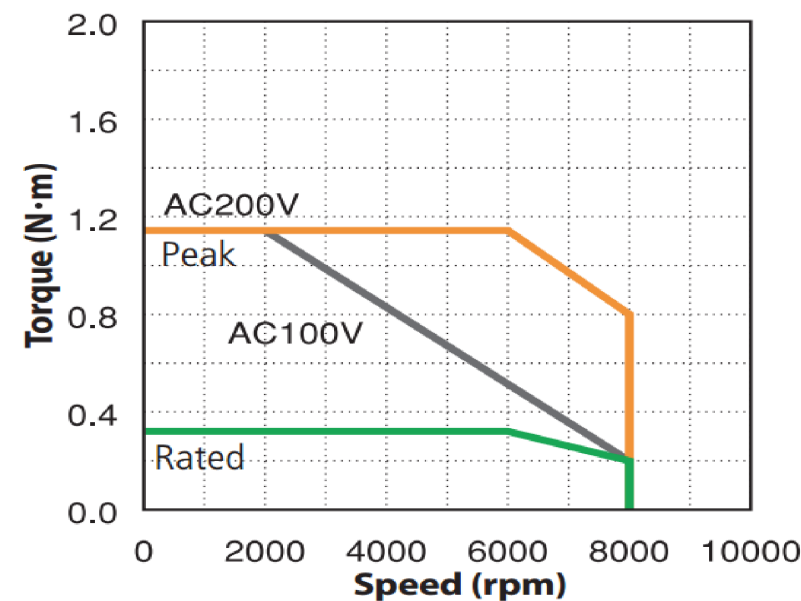
Shaft Style  
 K - Keyway  
 D - D-Cut  
 W - Double D-Cut  
 R - Round



### CM2-□-56B10C (100W)



### CM2-□-56B20C (200W)



UNITS: mm [inch]

\*For information on wiring refer to brochure

PROPRIETARY AND CONFIDENTIAL  
 THE INFORMATION CONTAINED IN THIS DRAWING IS THE SOLE PROPERTY OF MYOSTAT MOTION CONTROL INC. ANY REPRODUCTION IN PART OR AS A WHOLE WITHOUT THE WRITTEN PERMISSION OF COOLMUSCLE INC. IS PROHIBITED.



NAME	DATE	DO NOT SCALE DRAWING	DIMENSIONS ARE METRIC
DRAWN	M.Reynolds	JUL-14-2016	TITLE:
CHECKED			<b>COOLMUSCLE MOTOR CM2</b>
ENG APPR.			
SIZE	PRT. NO.	REV	
<b>B</b>	CM2-□-56B10C-□ CM2-□-56B20C-□	1.0	
SCALE: 1:2	WEIGHT: -	SHEET 1 OF 1	