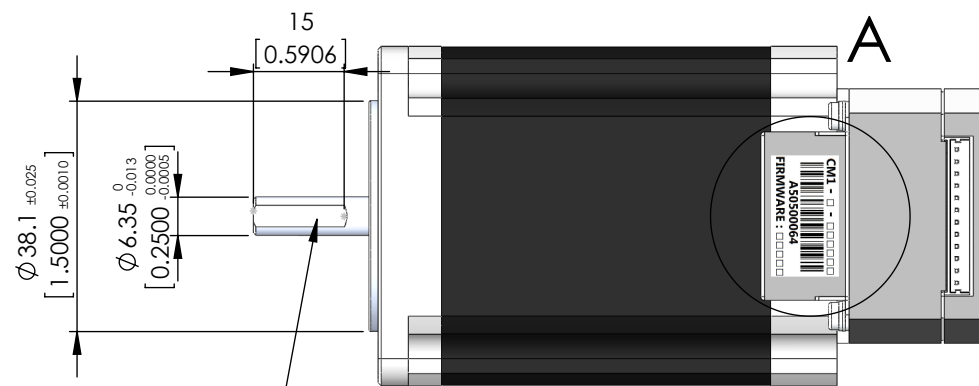
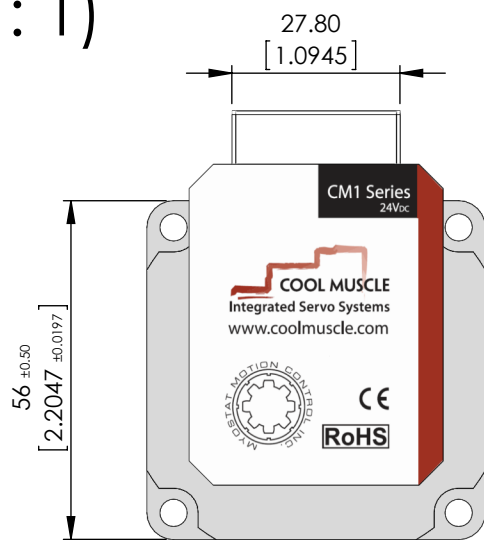
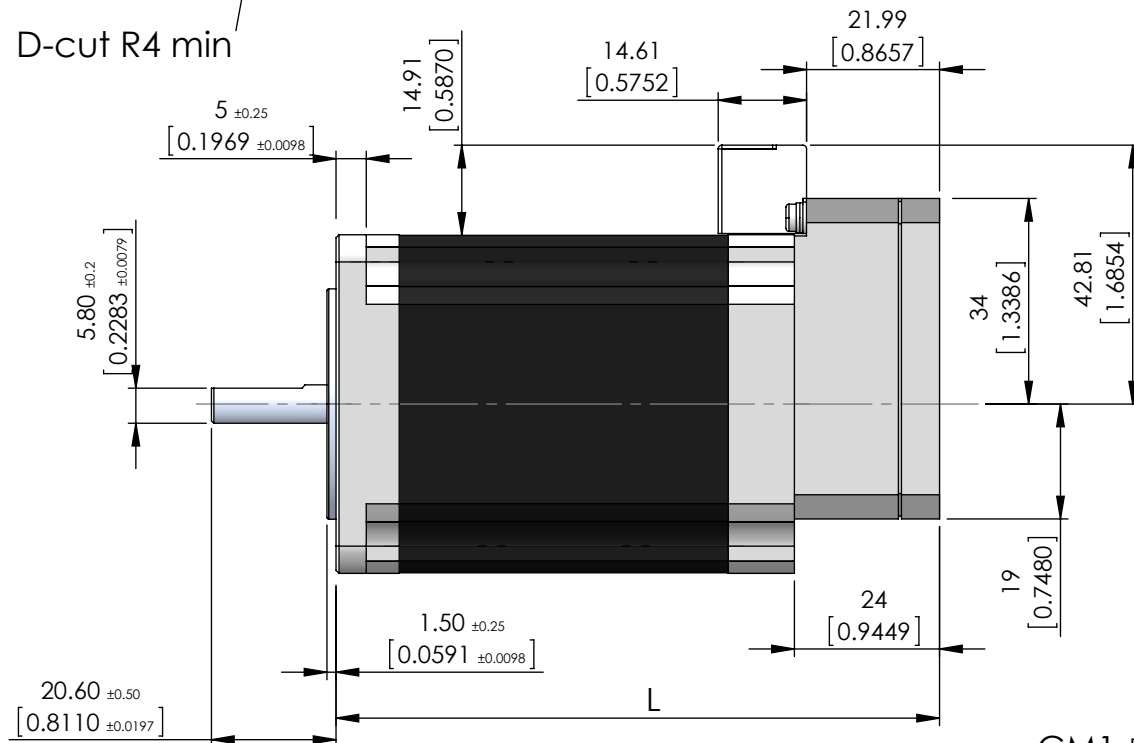


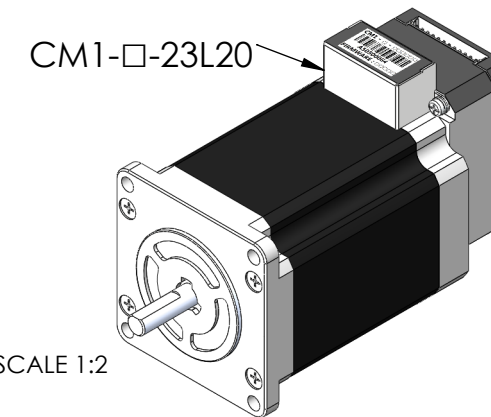
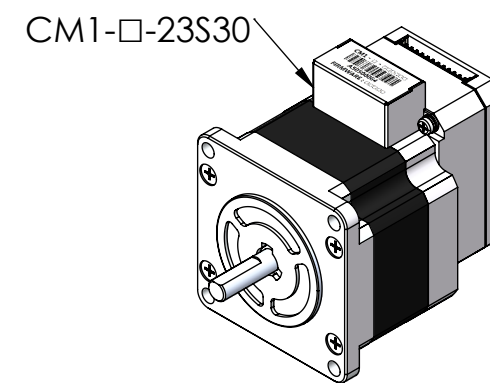
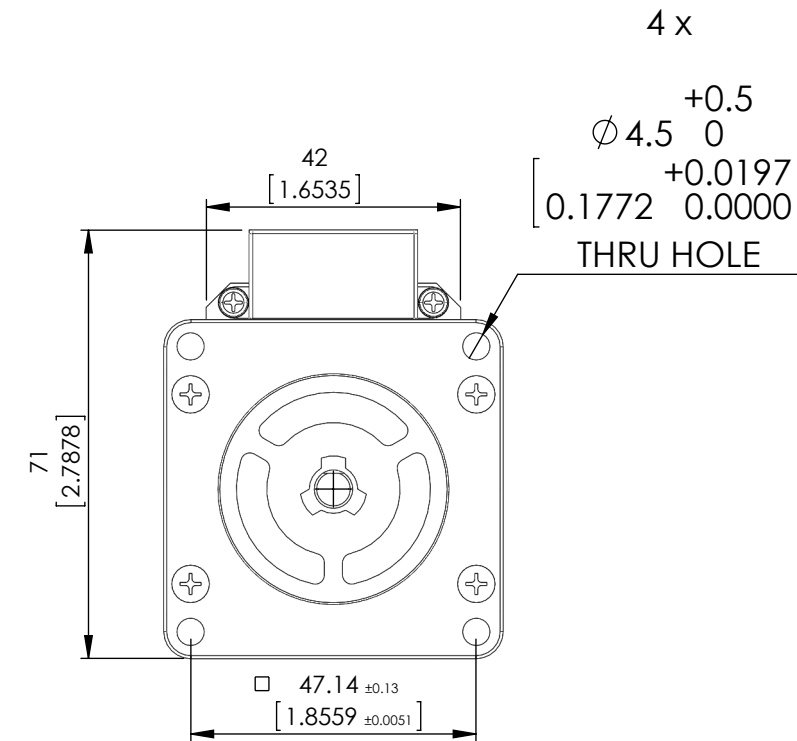
A(2:1)



D-cut R4 min

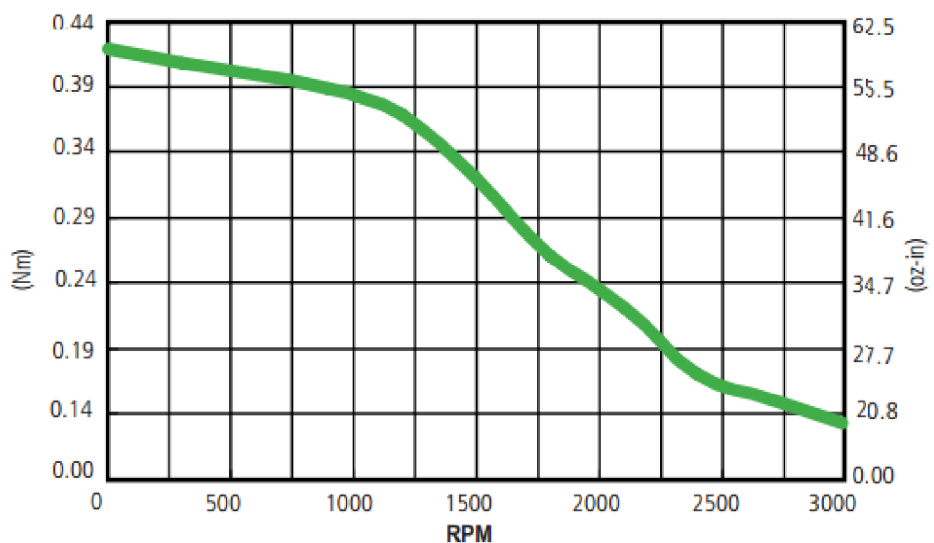


MODEL	L	Weight (kg)
CM1-□-23L20	100	1.2
CM1-□-23S30	66	2.4

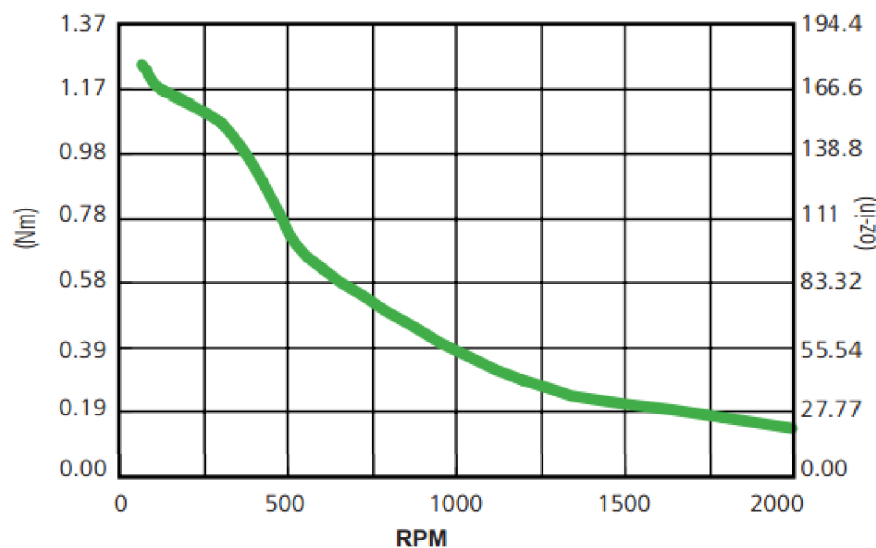


SCALE 1:2

CM1-□-23S30C



CM1-□-23L20C



UNITS: mm [inch]

Unless otherwise specified, tolerance to be: CNS 4018 IF 14 Linear measures 0.5-3 ±0.1 3-6 ±0.1 6-30 ±0.2 30-120 ±0.3 120-315 ±0.5	NAME	DATE	DO NOT SCALE DRAWING	DIMENSIONS ARE METRIC
	DRAWN	M.Reynolds	JUN-24-2016	TITLE:
	CHECKED			<b>COOLMUSCLE MOTOR CM1</b>
ENG APPR.			SIZE <b>B</b> PRT. NO. <b>CM1-□23□□0</b> REV <b>4.1</b>	
Myostat Motion Control Inc. +1 905-836-4441 www.myostat.ca		SCALE: 1:1	WEIGHT: -	SHEET 1 OF 1

PROPRIETARY AND CONFIDENTIAL  
THE INFORMATION CONTAINED IN THIS DRAWING IS THE SOLE PROPERTY OF MYOSTAT MOTION CONTROL INC. ANY REPRODUCTION IN PART OR AS A WHOLE WITHOUT THE WRITTEN PERMISSION OF COOLMUSCLE INC. IS PROHIBITED.