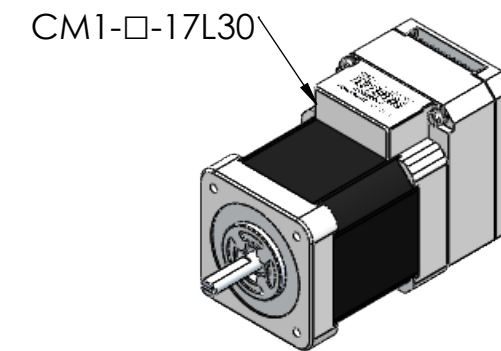
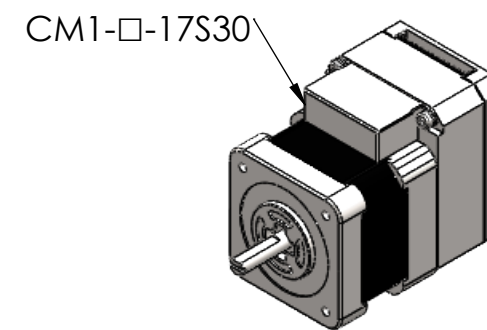
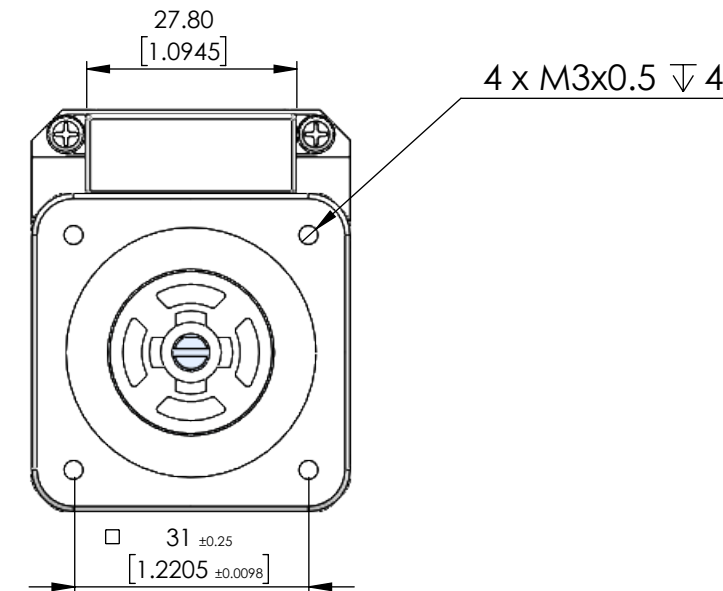
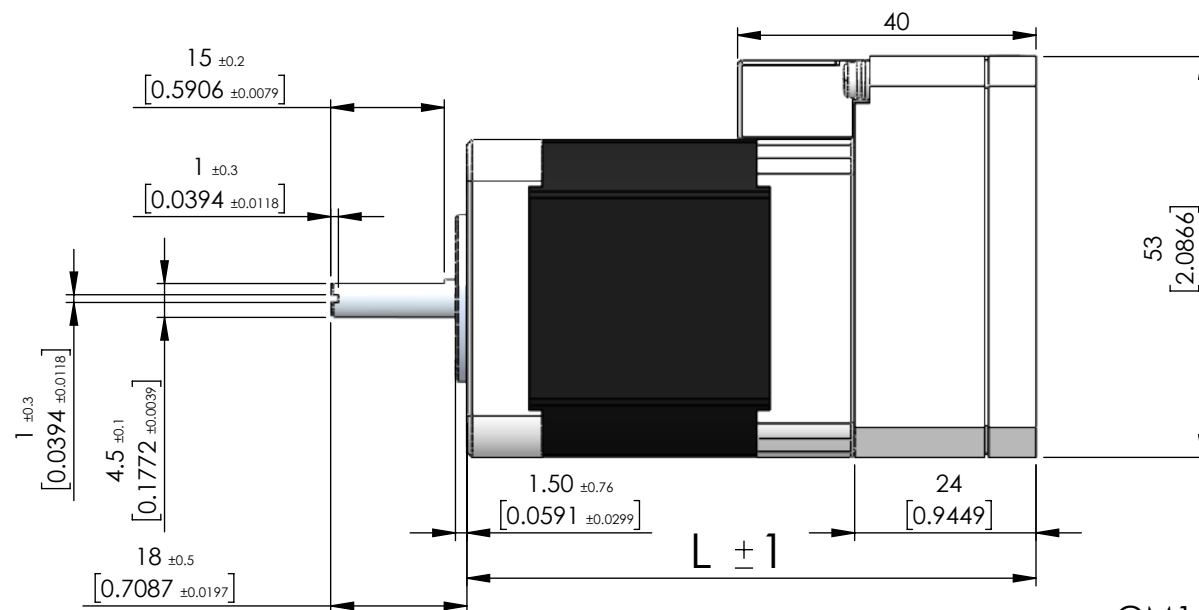
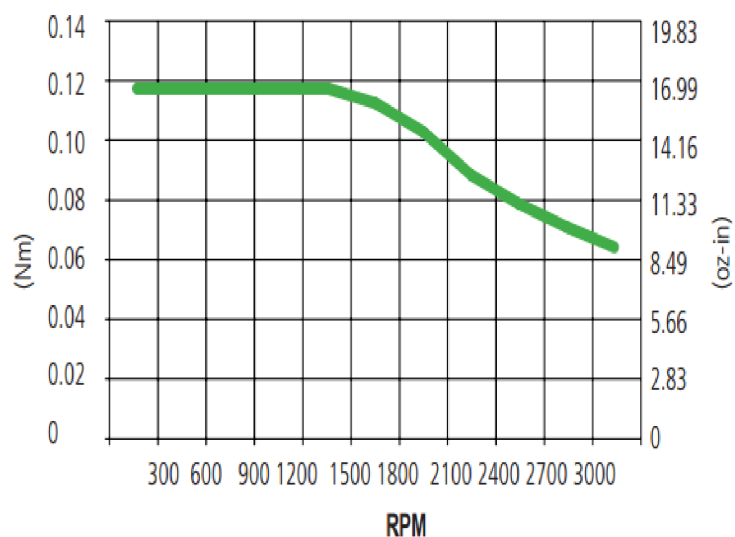


MODEL	L	Weight (kg)
CM1-□-17L30	75.5	0.48
CM1-□-17S30	60.5	0.32

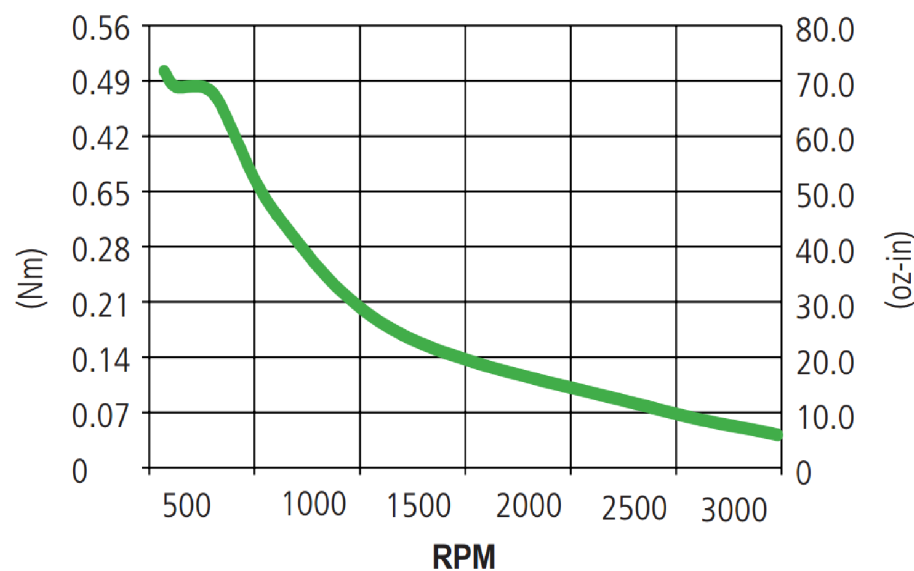
A(2:1)



CM1-□-17S30C



CM1-□-17L30C



UNITS: mm [inch]

Unless otherwise specified, tolerance to be: CNS 4018 IT 14 Linear measures 0.5-3 ±0.1 3-6 ±0.1 6-30 ±0.2 30-120 ±0.3 120-315 ±0.5	NAME	DATE	DO NOT SCALE DRAWING	DIMENSIONS ARE METRIC
	DRAWN	M.Reynolds	06-29-2018	TITLE: COOLMUSCLE MOTOR CM1
PROPRIETARY AND CONFIDENTIAL THE INFORMATION CONTAINED IN THIS DRAWING IS THE SOLE PROPERTY OF MYOSTAT MOTION CONTROL INC. ANY REPRODUCTION IN PART OR AS A WHOLE WITHOUT THE WRITTEN PERMISSION OF COOLMUSCLE INC. IS PROHIBITED.	CHECKED		SIZE B	
	ENG APPR.		PRT. NO. CM1-□-17□30	REV 4.1
	Myostat Motion Control Inc. +1 905-836-4441 www.myostat.ca		SCALE: 1:1	WEIGHT: -