

8

7

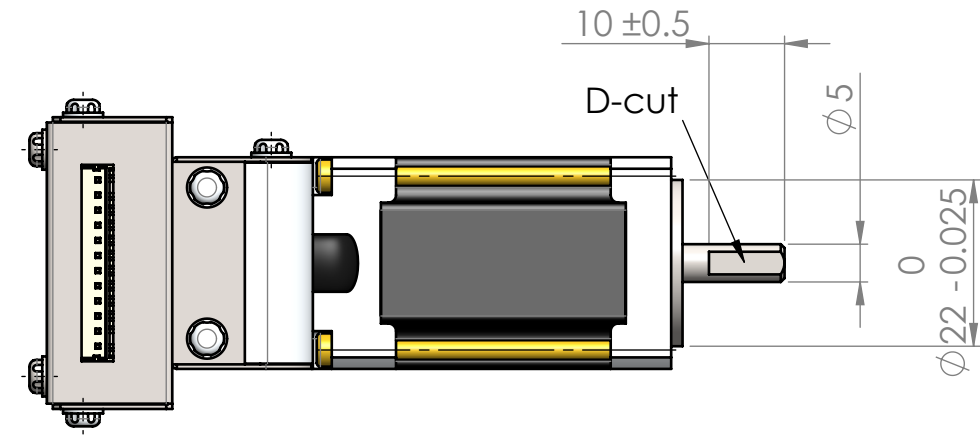
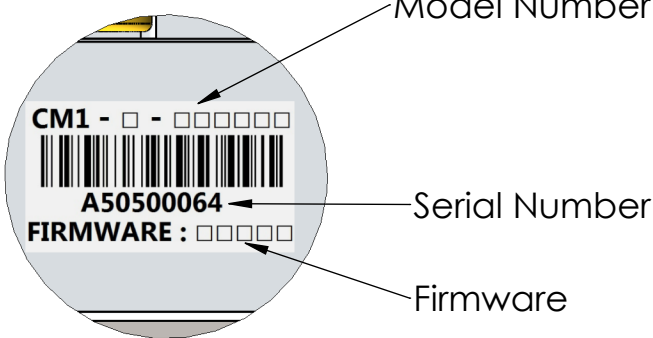
6

5

4

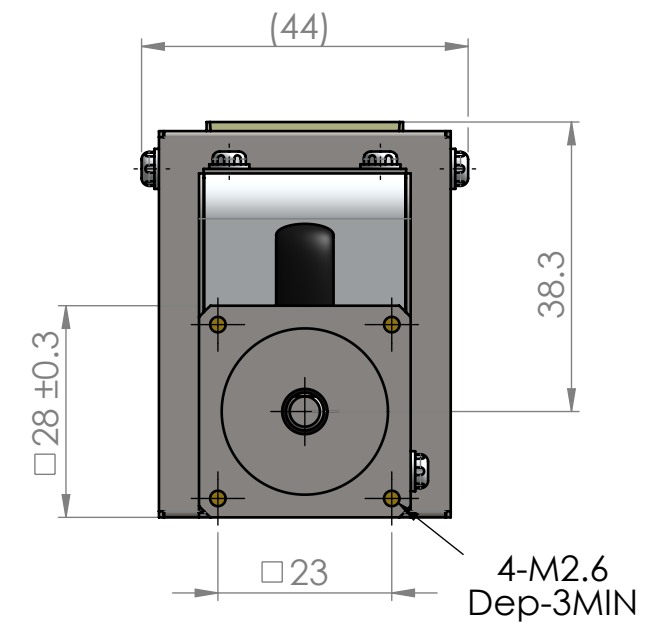
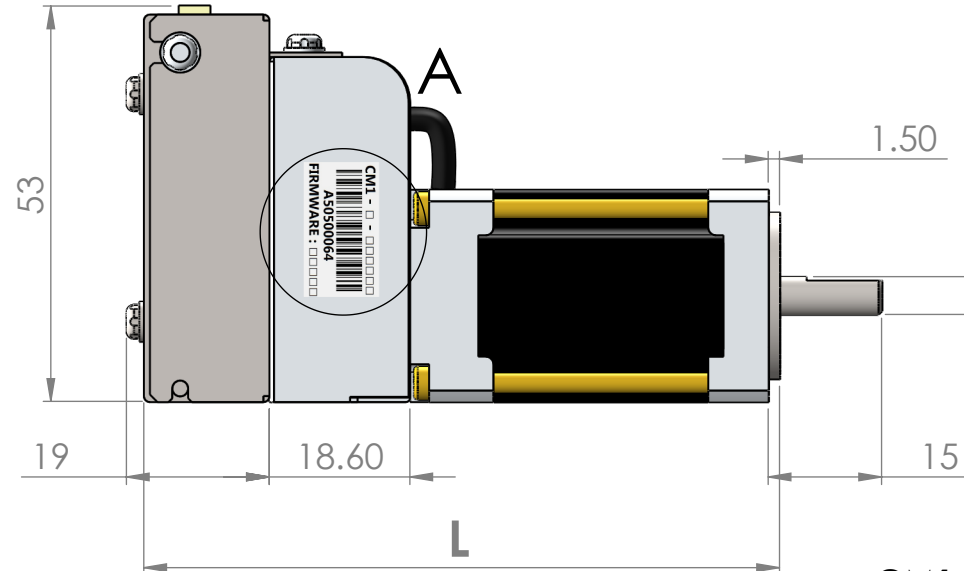
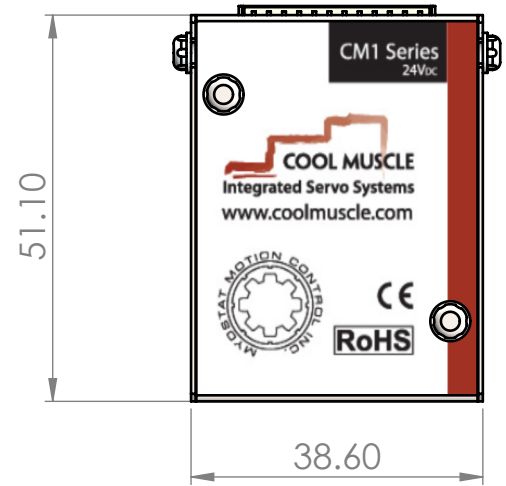
3

2



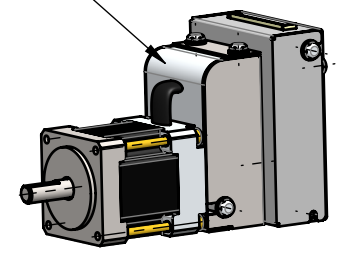
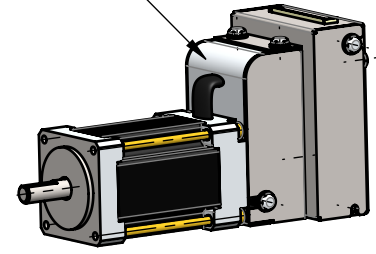
MODEL	L	Weight (kg)
CM-□-11L30	85 ± 1	0.65
CM-□-11S30	71 ± 1	0.5

A (2 : 1)



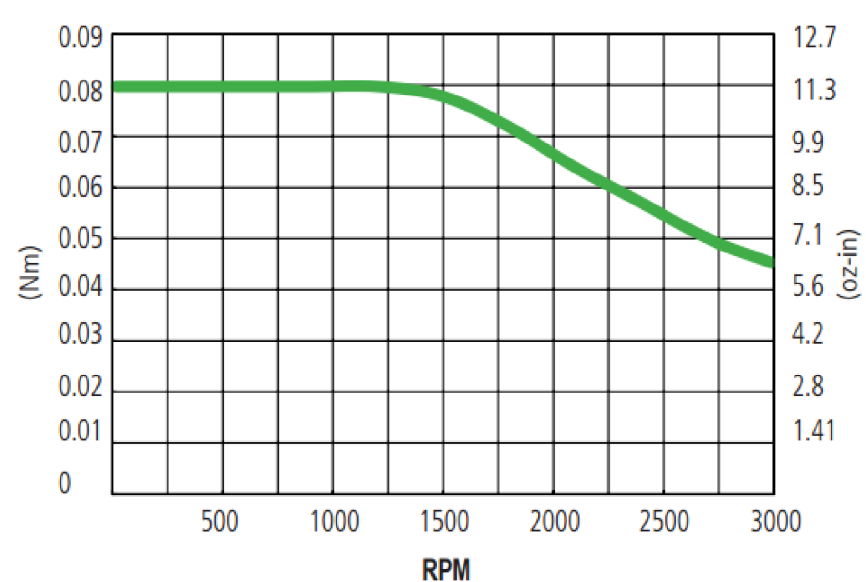
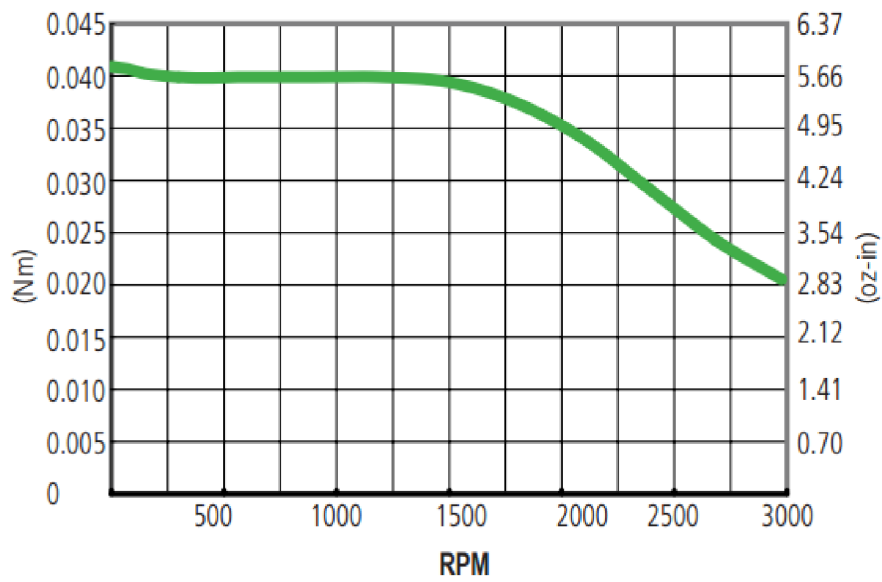
CM1-□-11L30

CM1-□-11L30



CM1-□-11S30

CM1-□-11L30



PROPRIETARY AND CONFIDENTIAL
 THE INFORMATION CONTAINED IN THIS DRAWING IS THE SOLE PROPERTY OF MYOSTAT MOTION CONTROL INC. ANY REPRODUCTION IN PART OR AS A WHOLE WITHOUT THE WRITTEN PERMISSION OF COOLMUSCLE INC. IS PROHIBITED.



NAME		DATE		DO NOT SCALE DRAWING		DIMENSIONS ARE METRIC		
DRAWN	M.Reynolds	JUN-24-2016	TITLE:				COOLMUSCLE MOTOR CM1	
CHECKED			SIZE		PRT. NO.		REV	
ENG APPR.			B		CM1-□-11□30		2.0	
SCALE: 1:1		WEIGHT: -		SHEET 1 OF 1				

8

7

6

5

4

3

2

1