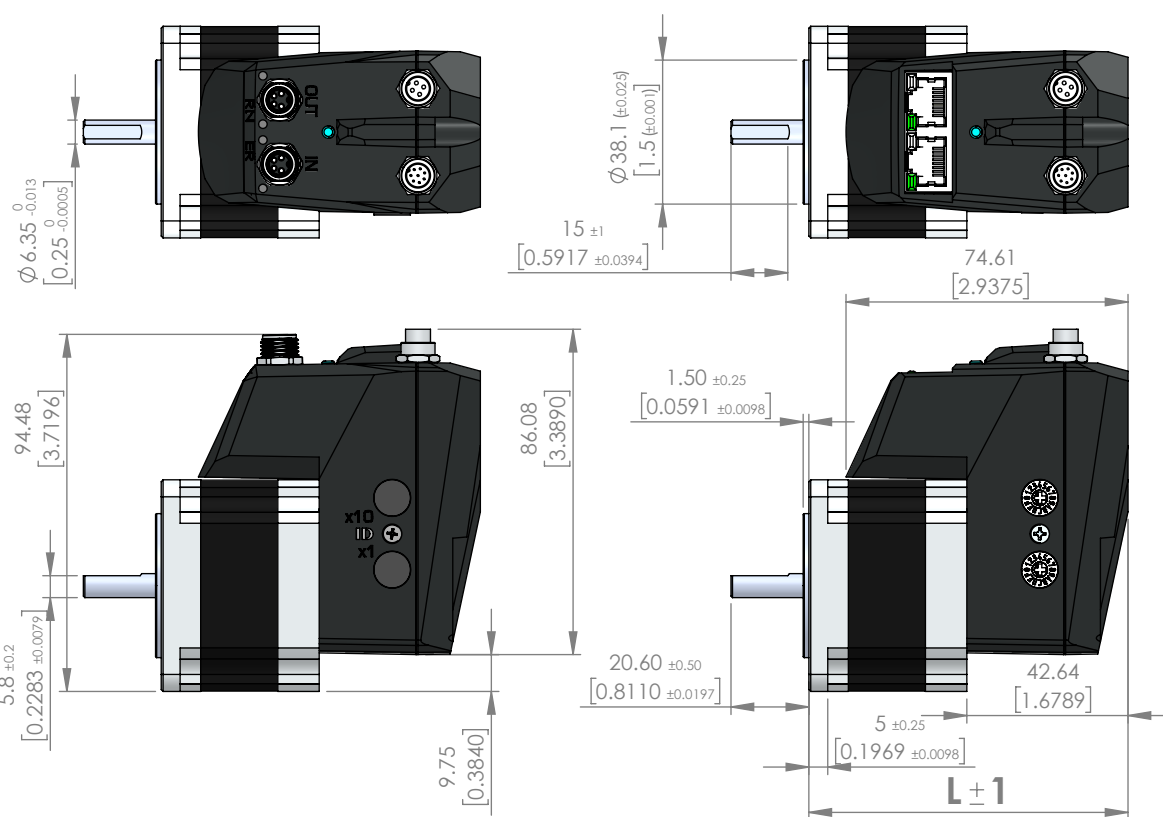
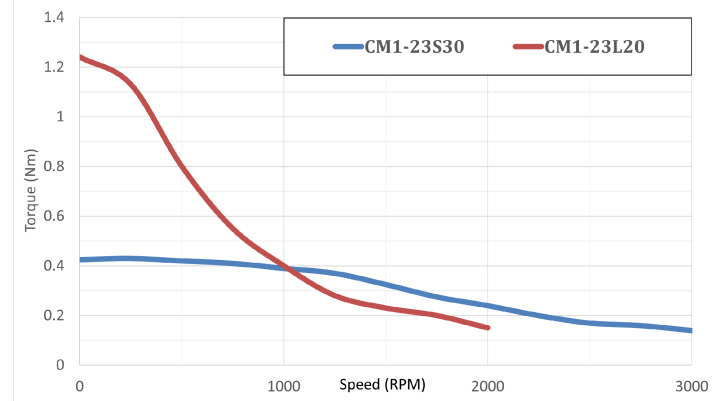
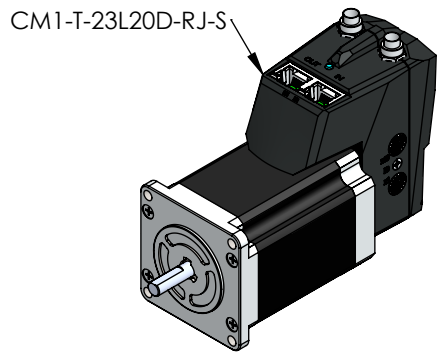
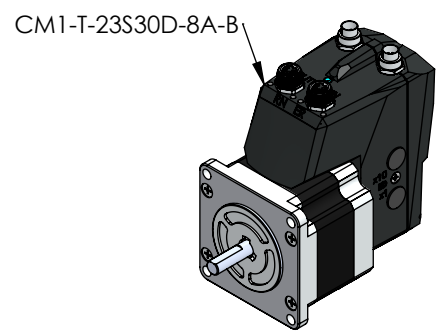
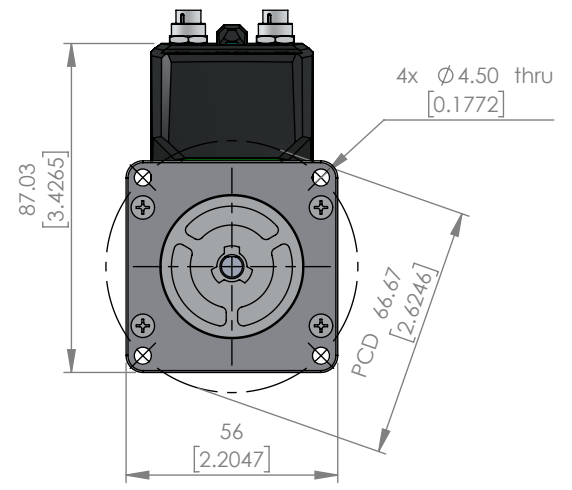


CM1-T-23L20D-RJ-S

Interface T EtherNet/IP Modbus TCP/IP TCP/IP Contours	Size 23	Length S Short L Long	Max Speed 20 2000rpm 30 3000rpm	H/W Rev. D	Connector RJ RJ45 8A M8A	Rotary Dip S Included B Blank
--	-------------------	------------------------------------	--	----------------------	---------------------------------------	--



MODEL	L	Weight (kg)
CM1-T-23L20D-□□-□	118.5	1.18
CM1-T-23S30D-□□-□	84.5	0.62



Unless otherwise specified, tolerance to be: CNS 4018
 IT 14 Linear measures
 0.5-3 ±0.1
 3-6 ±0.1
 6-30 ±0.2
 30-120 ±0.3
 120-315 ±0.5

PROPRIETARY AND CONFIDENTIAL
 THE INFORMATION CONTAINED IN THIS DRAWING IS THE SOLE PROPERTY OF MYOSTAT MOTION CONTROL INC. ANY REPRODUCTION IN PART OR AS A WHOLE WITHOUT THE WRITTEN PERMISSION OF MYOSTAT MOTION CONTROL INC. IS PROHIBITED.

For more information about using the CM1-T [CLICK HERE](#)

	NAME	DATE	DO NOT SCALE DRAWING	UNITS: mm [inch]
DRAWN	M.Dank	Apr 20, '26	TITLE: CM1-T NEMA23 TCP/IP, Modbus TCP & EtherNet/IP Interface	SIZE A
CHECKED	M.McCann	Apr 24, '26		
ENG APPR.	M.McCann	Apr 24, '26		
			PRT. NO. CM1-T-23□□0D-□□-□	REV 0.0
			SCALE 1:2	SHEET 1 OF 2

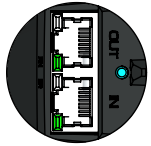


4

3

2

1

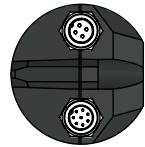


RJ

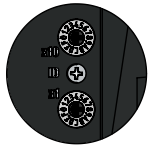
Ethernet Connectors



M8A



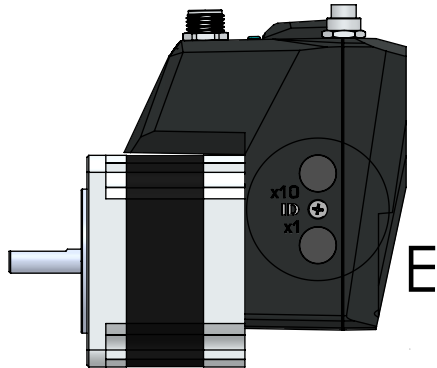
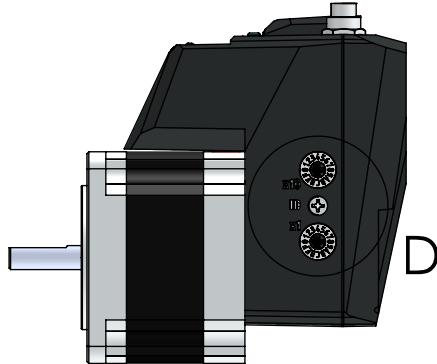
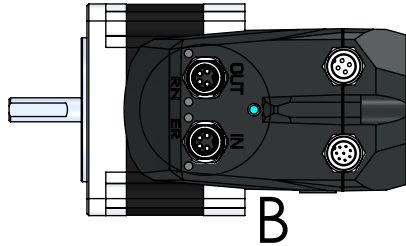
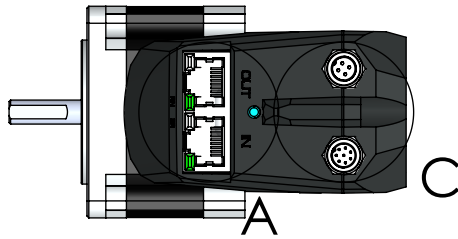
M9 Power & I/O



With Rotary Dip Switch



Without Rotary Dip Switch



Pin #	Name	Motor Function	Specification			
Digital Inputs - Sourcing (supply 0V to trigger)			Parameter	Min	Max	Unit
1 - Orange 2 - Brown 3 - Green 4 - Yellow	IN 1	Digital Input 1	Voltage Range	0	36	V
	IN 2	Digital Input 2	Input ON Level	0	1.4	V
	IN 3	Digital Input 3	Input Off Level	1.4	36	V
	IN 4	Digital Input 4	Continuous Current	-	30	mA
Analog Input (0-5V)			Peak Current	-	0.5	A
5 - Purple			Pulse Width	-	1	ms
A - IN 5			Parameter	Min	Max	Unit
Analog Input 4			Voltage Range	0	5	V
Digital Outputs - Sinking (output supplies 0V when Asserted)			Resolution	10 bit		
6 - Blue 7 - Black	Out 1	Output 1	Parameter	Min	Max	Unit
	Out 2	Output 2	Voltage Range	0	-	V
			Continuous Current	-	1	A
Signal Ground (0V)			Inductive Load Peak Rev Current	-	0.2	A
8 - Red	0V	0V	Inductive Load Peak Rev Voltage	-	70	V
			Parameter	Min	Max	Unit
Voltage Range			0	0	V	

Part Number	Input Voltage	Peak Torque	Peak Current	Peak Speed
CM1-T-23S30D-□□-□	24V ± 10%	0.46 Nm (65.14 oz.in)	5.1A	3000 rpm
CM1-T-23L20D-□□-□		1.24 Nm (175.6 oz.in)	3.4A	2000 rpm

CE requires cables longer than 30 meters to have surge protection

POWER

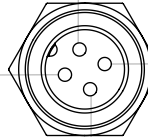
Mating cable:
CM1M9-4F-4000

4 - Motor Drive Power [24V ± 10%]

Input/Output

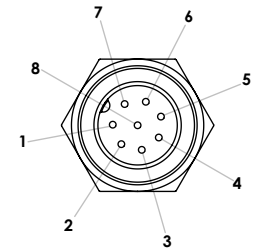
Mating cable:
CM1M9-8F-4000

1 - Interface + Motor Control Power [24V ± 10%]



2 - GND

3 - GND



Unless otherwise specified, tolerance to be: CNS 4018
IT 14 linear measures
0.5-3 ± 0.1
3-6 ± 0.1
6-30 ± 0.2
30-120 ± 0.3
120-315 ± 0.5

PROPRIETARY AND CONFIDENTIAL
THE INFORMATION CONTAINED IN THIS DRAWING IS THE SOLE PROPERTY OF MYOSTAT MOTION CONTROL INC. ANY REPRODUCTION IN PART OR AS A WHOLE WITHOUT THE WRITTEN PERMISSION OF MYOSTAT MOTION CONTROL INC. IS PROHIBITED.

	NAME	DATE
DRAWN	M.Dank	Apr 20,'26
CHECKED	M.McCann	Apr 24,'26
ENG APPR.	M.McCann	Apr 24,'26



Myostat Motion Control Inc.
+1 905-836-4441
www.myostat.ca

DO NOT SCALE DRAWING		UNITS: mm [inch]
TITLE: CM1-T NEMA23 TCP/IP, Modbus TCP & EtherNet/IP Interface		
SIZE	PRT. NO.	REV
A	CM1-T-23□□0D-□□-□	0.0
SCALE 1:2		SHEET 2 OF 2